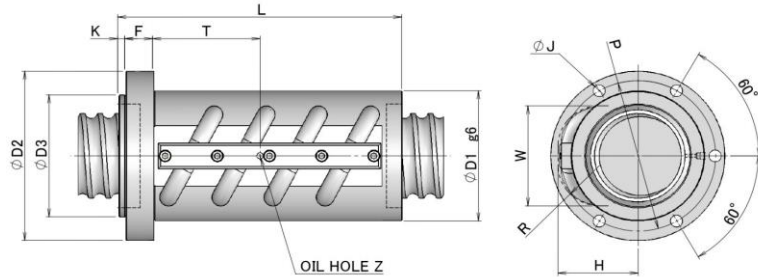


Table of size HNF



Ball screw designing

ex.



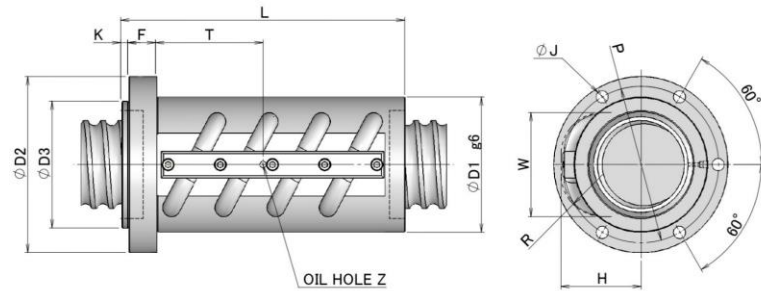
- ① V: Retainer ※ 1
- ② Nominal shaft diameter(mm)
- ③ Ball nut type
- ④ Effective turns
- ⑤ Nominal lead(mm)
- ⑥ Total length(mm)
- ⑦ Accuracy grade

※ 1 V: with retainers C: with ceramic balls In this case, it will be marked with a symbol

Lead	Model No.	Screw dia.	Root dia.	Ball dia.	Effective turns	Basic rated dynamic load	Basic rated static load	maximum axial load	Nut dimension(mm)												
									ℓ(mm)	d _s (mm)	d _r (mm)	D _w (mm)	m	C _a (kN)	C ₀ (kN)	(kN)	D ₁	D ₂	D ₃	L	K
16	50HNFL16	50	40.1	12.7	2.5×3	305	847	104	95	129	85	218	6	28	84	112	9	70	66	30	R _c 1/8
	55HNFL16	55	45.1	12.7	2.5×3	319	919	118	98	132	92	218	6	28	84	115	9	72	68	30	R _c 1/8
	63HNFL16	63	53.1	12.7	2.5×3	344	1060	137	105	139	100	218	6	28	84	122	9	80	71	30	R _c 1/8
	63HNFO16				2.5×4	441	1410	183				266			100						
	80HNFL16	80	70.1	12.7	2.5×3	385	1340	181	125	164	120	224	8	32	84	145	11	99	81	30	R _c 1/8
	80HNFP16				3.5×3	514	1880	252				272			100						
	100HNFL16	100	90.1	12.7	2.5×3	427	1700	231	146	190	140	226	10	32	84	168	13.5	115	88	30	R _c 1/8
	100HNFP16				3.5×3	571	2380	323				274			100						
	125HNFL16	125	115.1	12.7	2.5×3	469	2130	294	168	226	165	226	10	32	84	198	17.5	143	100	30	R _c 1/8
	125HNFP16				3.5×3	627	2980	412				274			100						
125HNFW16	3.5×4				802	3970	550	338				132									
20	50HNFC20	50	40.1	12.7	2.5×2	215	564	70	95	129	85	194	6	28	62	112	9	70	66	30	R _c 1/8
	63HNFC20	63	50.5	15.875	2.5×2	322	883	110	116	155	105	210	8	32	65	136	11	90	82	40	R _c 1/8
	63HNFL20				2.5×3	457	1320	165				270			105						
	80HNFL20	80	67.5	15.875	2.5×3	513	1660	218	130	169	125	270	8	32	105	150	11	106	90	40	R _c 1/8
	80HNFO20				2.5×4	657	2210	291				330			125						
	100HNFL20	100	87.5	15.875	2.5×3	575	2100	282	150	194	145	272	10	32	105	172	13.5	125	97	40	R _c 1/8
	100HNFO20				2.5×4	737	2800	376				332			125						
	125HNFL20	125	112.5	15.875	2.5×3	639	2660	361	178	236	170	280	10	40	105	208	17.5	148	114	40	R _c 1/8
	125HNFO20				2.5×4	818	3540	480				340			125						
	140HNFL20	140	127.5	15.875	2.5×3	673	2990	408	193	251	180	280	10	40	105	223	17.5	163	120	40	R _c 1/8
140HNFO20	2.5×4				860	3990	545	340				125									

Please contact us if you plan to use the product in excess of the maximum axial load.

Table of size HNF



Ball screw designing

ex. **V** **120** **HNF** **W** **25** - **1350** **C7**

① ② ③ ④ ⑤ ⑥ ⑦

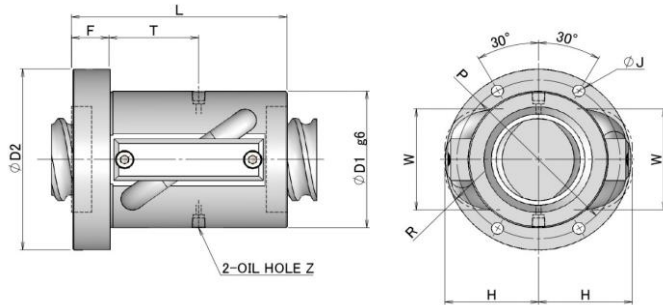
- ① V: Retainer ※ 1
- ② Nominal shaft diameter(mm)
- ③ Ball nut type
- ④ Effective turns
- ⑤ Nominal lead(mm)
- ⑥ Total length(mm)
- ⑦ Accuracy grade

※ 1 V: with retainers C: with ceramic balls In this case, it will be marked with a symbol

Lead	Model No.	Screw dia.	Root dia.	Ball dia.	Effective turns	Basic rated dynamic load	Basic rated static load	maximum axial load	Nut dimension(mm)												
									ℓ(mm)	d _s (mm)	d _r (mm)	D _w (mm)	m	C _a (kN)	C _o (kN)	(kN)	D ₁	D ₂	D ₃	L	K
25	50HNF25	50	40.1	12.7	3.5 × 1	157	395	49	95	129	85	175	8	28	50	112	9	70	66	30	R _c 1/8
	63HNFL25	63	50.5	15.875	2.5 × 3	455	1320	165	116	155	105	314	8	32	77	136	11	90	82	40	R _c 1/8
	80HNFL25	80	65.7	19.05	2.5 × 3	663	2060	257	146	190	130	322	8	32	129	168	13.5	110	98	40	R _c 1/8
	80HNFO25				2.5 × 4	850	2750	343				397			154						
	100HNFL25	100	85.7	19.05	2.5 × 3	737	2550	333	165	223	150	324	10	32	129	195	17.5	128	106	40	R _c 1/8
	100HNFO25				2.5 × 4	945	3400	444				399			154						
	125HNFL25				2.5 × 3	819	3190	428				192			250						
	125HNFO25	2.5 × 4	1040	4250	569	407	154														
	140HNFO25	140	125.7	19.05	2.5 × 4	1120	4890	646	207	265	195	407	10	40	154	237	17.5	166	126	40	R _c 1/8
	140HNFW25				3.5 × 4	1450	6560	906				507			204						
160HNFO25	160	145.7	19.05	2.5 × 4	1170	5530	747	227	288	215	407	10	40	154	257	17.5	188	138	40	R _c 1/8	
200HNFO25	200	185.7	19.05	2.5 × 4	1270	6820	951	267	327	255	407	10	40	154	297	17.5	228	160	40	R _c 1/8	
30	125HNFL30	125	108.1	22.225	2.5 × 3	1000	3680	488	200	260	185	380	10	40	150	230	17.5	160	128	50	R _c 1/8
	125HNFO30				2.5 × 4	1280	4910	654				470			180						
	140HNFL30	140	123.1	22.225	2.5 × 3	1050	4120	554	222	282	210	390	10	50	150	252	17.5	175	137	50	R _c 1/8
	140HNFO30				2.5 × 4	1350	5500	741				480			180						
	160HNFL30	160	143.1	22.225	2.5 × 3	1120	4770	642	234	294	220	390	10	50	150	264	17.5	195	145	50	R _c 1/8
	160HNFO30				2.5 × 4	1440	6370	858				480			180						
	200HNFL30	200	183.1	22.225	2.5 × 3	1250	6080	822	290	350	275	410	10	70	150	320	17.5	235	178	50	R _c 1/8
	200HNFO30				2.5 × 4	1600	8110	1093				500			180						
32	140HNFL32	140	120.7	25.4	2.5 × 3	1280	4810	625	222	294	210	430	10	70	159	259	22	182	145	50	R _c 1/8
	140HNFO32				2.5 × 4	1630	6410	832				526			191						
	160HNFL32	160	140.7	25.4	2.5 × 3	1340	5380	724	234	307	220	430	10	70	159	271	22	200	155	50	R _c 1/8
	160HNFO32				2.5 × 4	1720	7180	968				526			191						
	200HNFL32	200	180.7	25.4	2.5 × 3	1490	6810	926	290	370	275	430	10	70	159	327	22	240	183	50	R _c 1/8
	200HNFO32				2.5 × 4	1900	9080	1236				526			191						

Please contact us if you plan to use the product in excess of the maximum axial load.

Table of size HNF High lead



Ball screw designing

ex. **V** **120** **HNF** **W** **25** — **1350** **C7**

① ② ③ ④ ⑤ ⑥ ⑦

① V: Retainer ※ 1 ④ Effective turns ⑥ Total length(mm)
 ② Nominal shaft diameter(mm) ⑤ Nominal lead(mm) ⑦ Accuracy grade
 ③ Ball nut type

※ 1 V: with retainers C: with ceramic balls In this case, it will be marked with a symbol

Lead	Model No.	Screw dia.	Root dia.	Ball dia.	Effective turns	Basic rated dynamic load	Basic rated static load	maximum axial load	Nut dimension(mm)										
									l(mm)	d _o (mm)	d _r (mm)	D _w (mm)	m	C _a (kN)	C _o (kN)	(kN)	D ₁	D ₂	L
32	45HNFUS32	45	38.1	9.525	1.5 × 2	86.3	194	29	90	132	109	18	32	110	11	61	55	20	Rc1/8
	50HNFUS32	50	40.5	12.7	1.5 × 2	134	294	42	95	145	134	28	34	120	11	66	66	20	Rc1/8
	50HNFAS32				2.5 × 2	208	490	70			166		66						
63HNFAS32	63	53.5	12.7	2.5 × 2	236	615	92	120	170	166	28	66	145	13.5	80	71	20	Rc1/8	
40	50HNFAS40	50	40.5	12.7	2.5 × 2	206	490	71	100	150	190	28	80	125	13.5	66	66	20	Rc1/8
	63HNFAS40	63	51.2	15.875	2.5 × 2	332	830	112	140	200	194	32	81	170	17.5	82	85	20	Rc1/8
	63HNFBS40				3.5 × 2	444	1160	155			234		81						
	80HNFAS40	80	68.2	15.875	2.5 × 2	376	1040	146	160	220	204	32	85	190	17.5	102	94	30	Rc1/8
	80HNFBS40				3.5 × 2	502	1450	206			244		85						
50	80HNFAS50	80	66.4	19.05	2.5 × 2	483	1290	173	170	230	247	40	104	200	17.5	104	103	30	Rc1/8
	100HNFAS50	100	86.4	19.05	2.5 × 2	540	1590	223	195	270	251	40	104	235	22	127	109	40	Rc1/8
	100HNFBS50				3.5 × 2	722	2230	313			301		104						

Please contact us if you plan to use the product in excess of the maximum axial load.